

T-PFA & L-PFA disposable filters

T/L PFA filters are constructed of high purity PFA materials and PTFE membrane, designed for high-temperature and critical applications. Strict control of manufacturing process and cleanliness and all fluorine structure ensures T/F PFA filters feature the best chemical compatibility, ultra low metal extractables and longer life time.

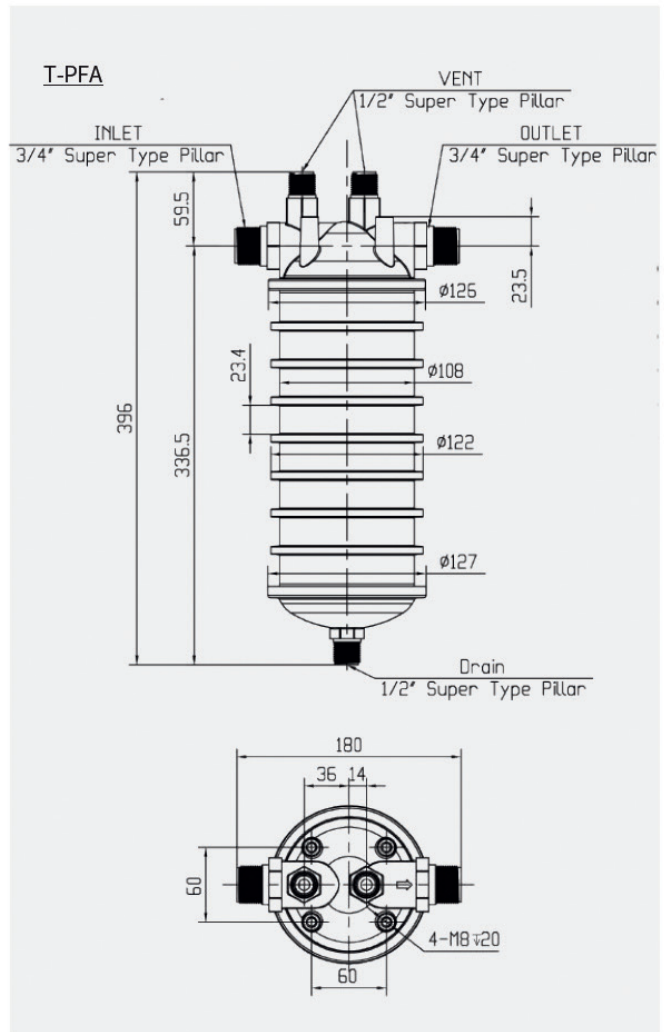
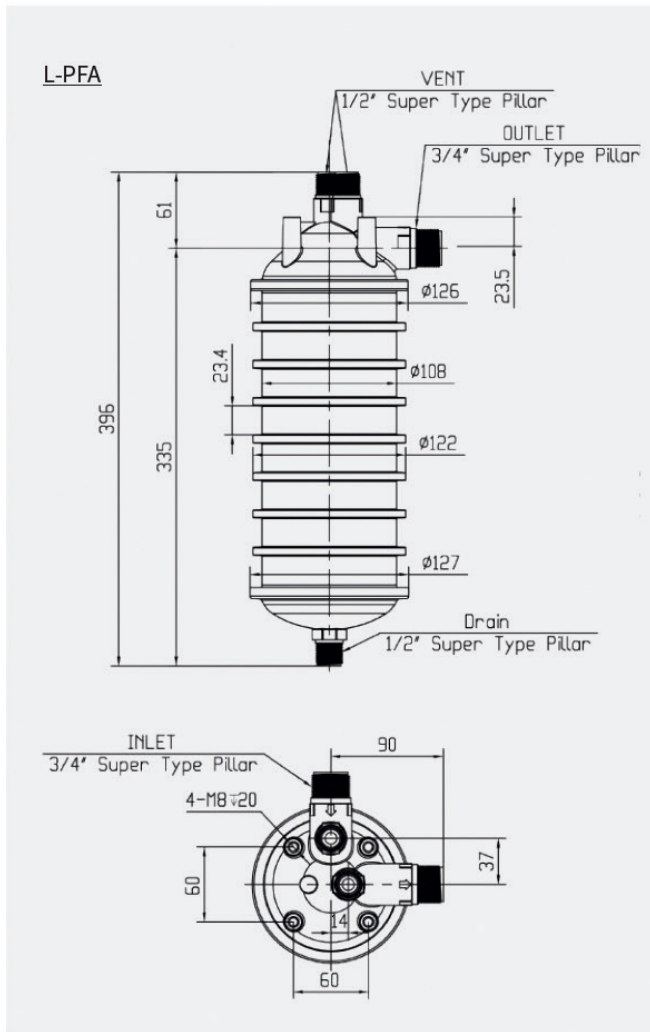
100% integrity tested to meet requirements of semiconductor. Prewet packaging reduces equipment pre-operation time. Disposable filter design features better leakproofness, convenient installation and changeout, reduce downtime and simplify system design.

Applications

H₂SO₄, H₃PO₄, HNO₃, HCL, NH₄OH, H₂O₂, TMAH SC1, SC2, SPM, etc.



ITEM	SPECIFICATIONS
Filter media	PTFE
Capsule	PFA
Endcaps/Cage/Core	PFA
Max. working temp.	180°C
Max. working DP	0.42 MPa / 25°C



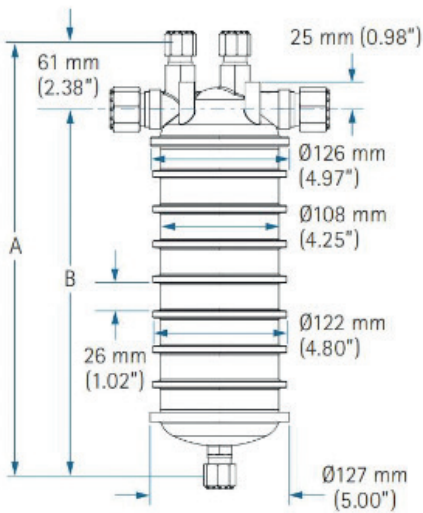
Ordering Information

ESPRO-12-TPFA	S1	002	05	S64	S	/
Code	Filter Area	Removal Rating	Length	Inlet & Outlet	Cleanlines	Packaging
ESPRO-12-TPFA	S1 0.7 m ² /10"	002 0.02 μm	05 5"	S64 I/O 3/4" Pillar V/D 1/2" Pillar F62 I/O 3/4" Flare V/D 1/4" Flare	S Semiconductor grade	/ Without Prewet
ESPRO-12-LPFA	S2 1.1 m ² /10"	005 0.05 μm	10 10"		E Electronic grade	W < 25 ppb
ESPRO-12-IPFA	E1 1.3 m ² /10"	010 0.10 μm	20 20"			CW < 10 ppb
	E2 2.2 m ² /10"	020 0.20 μm				
		050 0.50 μm				

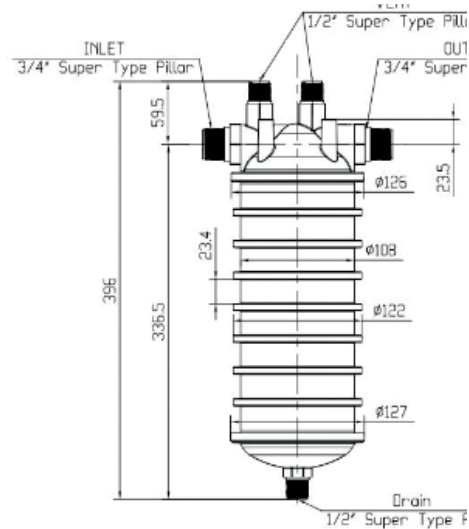


T-PFA & L-PFA disposable filters

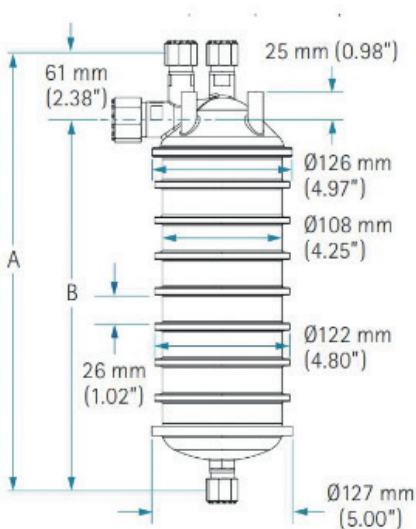
Product Drawings



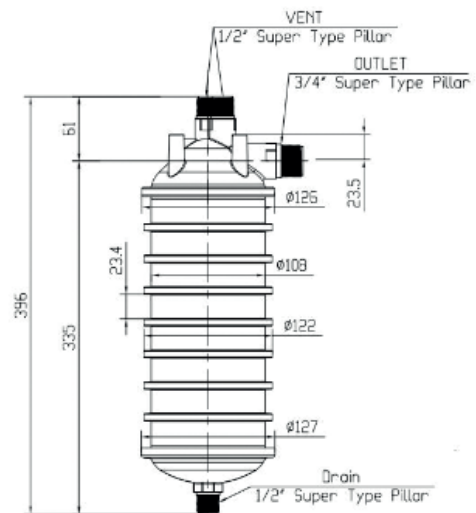
**Entegris T-flow
396mm**



**Deefine T-flow
396mm**



**Entegris L-flow
395mm**



**Deefine L-flow
396mm**

