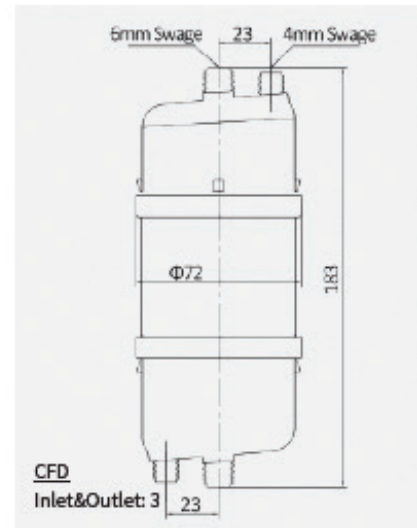
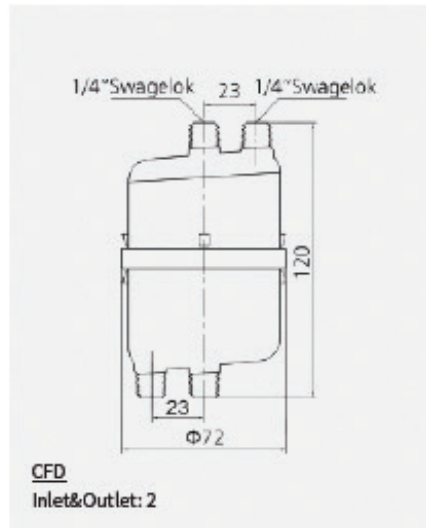
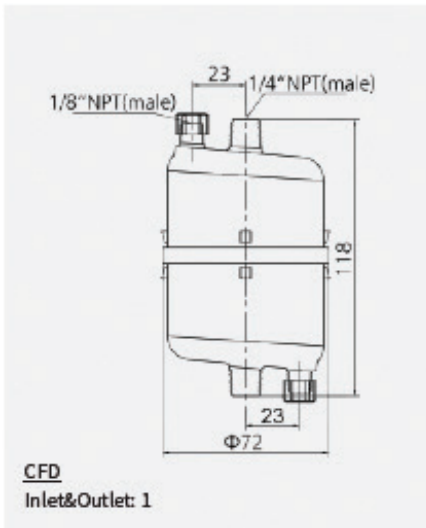


CFD series

The CFD capsule filter is a perfect combination of filter element and housing for quick installation and direct use. It has a compact space structure, with little residue in the filter element when replaced, and is ideal for laboratory or small batch production lines. Depending on the filtration situation, the filter material has a variety of different materials to choose from. 2 length sizes are available, both with large caliber import and export connections, to minimize pressure loss.



Ordering Information

ESPRO-12-CFD	NF	010	1			
Code	Filter Media	Removal Rating		Inlet & Outlet		Vent/Drain
ESPRO-12-CFD	PP2	005	0.05 μm	1	1/4" NPT	1/8" NPT
ESPRO-12-CFD2	PP3	010	0.10 μm	2	6 mm Swagelok	4 mm Swagelok
	NF	022	0.22 μm	3	1/4" Swagelok	1/4" Swagelok
	PF1	045	0.45 μm	F64	3/8" Flare	1/4" Flare
	PS1	100	1.00 μm	S64	3/8" Swagelok	1/4" Swagelok
				S84	1/2" Swagelok	1/4" Swagelok

