

espro[®] powered by SPS



PFA SPRAY GUNS

INNOVATIVE PRODUCTS
FOR SEMICONDUCTOR PROCESSES

WWW.ESPROFLOW.COM

Contents

PFA DI & N2 SPRAY GUN KIT	02
Ordering information PFA DI spray gun kit	05
Ordering information PFA N2 spray gun kit	05
PFA RECIRCULATING SPRAY GUN KIT	06
Ordering information PFA recirculating spray gun kit	07



PFA DI & N2 Spray Gun Kit

This is a specialized product for spraying DI water in equipment handling chemicals in the semiconductor and OLED display fields.

With an ergonomic design, it provides excellent grip after wearing chemical-resistant gloves.

Using the lever locking mechanism is very convenient for prolonged continuous use.



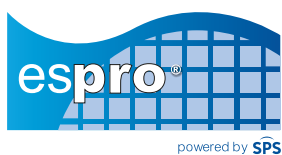
SPECIFICATIONS	
Material (contact part)	High Purity Grade PFA
Pressure range	0 ~ 5.5 kgf/cm ²
Temperature range	0 ~ 90°C

Part no. breakdown

CF	DG	06	P	30	0612N					
MAKER	PRODUCT		COIL		COIL SIZE	FITTINGS				
CF (Chemiones)	DG	DI gun	06	3/8" (Flare)	P	PFA	10	100-1ft-100	0612N	3/8"*3/8" NPT
	NG	N2 gun	04N	1/4" (NPT)	F	FEP	20	100-2ft-100	0612P	3/8"*3/8" PT
	RF	Recirculating	04P	1/4" (PT)			30	100-3ft-100	0615N	3/8"*1/2" NPT
							40	100-4ft-100	0615P	3/8"*1/2" PT
							50	100-5ft-100	0415N	1/4"*1/2" NPT
									0415P	1/4"*1/2" PT
									0412N	1/4"*3/8" NPT
									0412P	1/4"*3/8" PT
									0410N	1/4"*1/4" NPT
									0410P	1/4"*1/4" PT

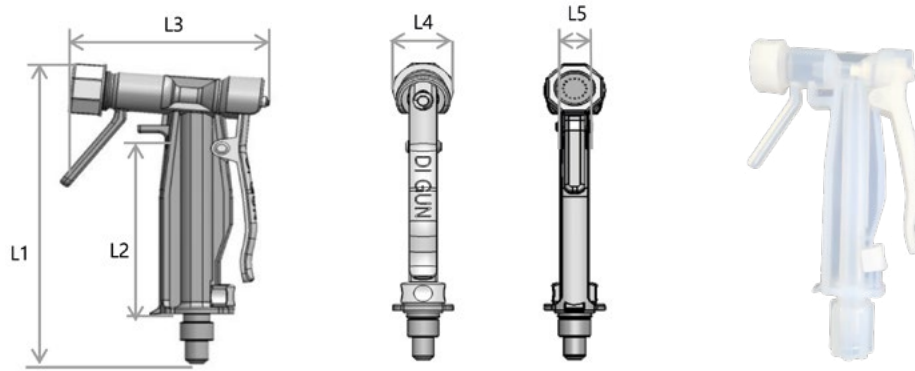
Example : CFDG-06-P-30-0612N

- CFDG : Chemiones DI Gun
- 06 : 3/8" (flare)
- P : PFA material
- 30 : 100-3ft-100 length
- 0612N : 3/8"*3/8" (NPT)

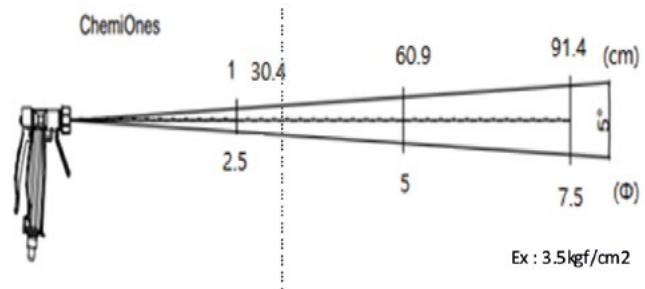


DI gun dimensions

PART NO.	SIZE	L1	L2	L3	L4	L5	NUT TYPE
CFDG-06	3/8"	170	98	96	30	14	Flare

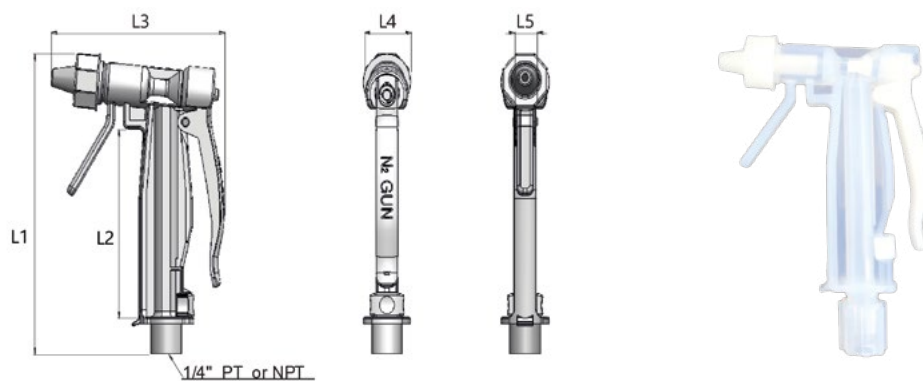


Spray pattern:



N2 gun dimensions

PART NO.	SIZE	L1	L2	L3	L4	L5	NUT TYPE
CFNG-06	3/8"	170	98	96	30	14	Flare
CFNG-04 (N or P)	1/4"	170	98	96	30	14	Flare

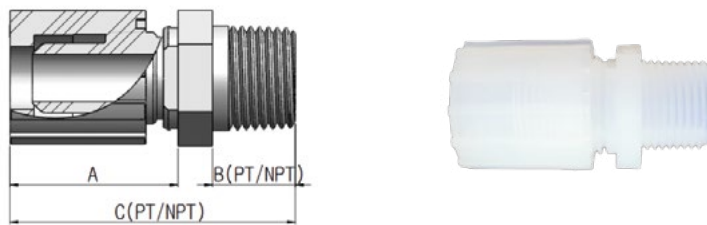


032026REV1



Male connector

PART NO.	TUBE SIZE	PT SIZE	NPT SIZE	A (MM)	B (PT)	B (NPT)	C (PT)	C (NPT)
MC-0410 (P, N)	1/4"	13.1	13.7	31	13	14.5	51.1	52.6
MC-0412 (P, N)	1/4"	16.6	17.1	31	13	15		
MC-0415 (P, N)	1/4"	20.9	21.3	31	17	18		
MC-0612 (P, N)	3/8"	16.6	17.1	32	13	15	52.1	54.1
MC-0615 (P, N)	3/8"	20.9	21.3	32	17	18	56.1	57.1



Coil hose

PART NO.	TUBE SIZE	MATERIAL	L (MM)	C (CUFFLENGTH)
CFCT-04	1/4"	PFA, FEP available	1ft ~ 5ft available	100L (can custom order)
CFCT-06	3/8"	PFA, FEP available	1ft ~ 5ft available	100L (can custom order)
CFCT-06_100-300-100	3/8"	PFA, FEP available	1ft	100L (can custom order)
CFCT-06_100-600-100	3/8"	PFA, FEP available	2ft	100L (can custom order)
CFCT-06_100-900-100	3/8"	PFA, FEP available	3ft	100L (can custom order)
CFCT-08_100-300-100	1/2"	PFA, FEP available	1ft	100L (can custom order)
CFCT-08_100-600-100	1/2"	PFA, FEP available	2ft	100L (can custom order)
CFCT-08_100-600-100	1/2"	PFA, FEP available	3ft	100L (can custom order)



Ordering information PFA DI spray gun kit

PART NO.	SIZE	COIL HOSE MATERIAL	COIL HOSE SIZE	FITTINGS
CFDG-06-P-10-0612N(P)	3/8" FLARE	PFA	100 -1ft –100	3/8"(F) * 3/8"(PT)
CFDG-06-P-20-0612N(P)			100 -2ft –100	
CFDG-06-P-30-0612N(P)			100 -3ft –100	
CFDG-06-P-40-0612N(P)			100 -4ft –100	
CFDG-06-P-50-0612N(P)			100 -5ft –100	
CFDG-06-P-10-0615N(P)			100 -1ft –100	3/8"(F) * 1/2"(PT)
CFDG-06-P-20-0615N(P)			100 -2ft –100	
CFDG-06-P-30-0615N(P)			100 -3ft –100	
CFDG-06-P-40-0615N(P)			100 -4ft –100	
CFDG-06-P-50-0615N(P)			100 -5ft –100	



Ordering information PFA N2 spray gun kit

PART NO.	SIZE	COIL HOSE MATERIAL	COIL HOSE SIZE	FITTINGS
CFNG-06-P(F)-10-0410N(P)	3/8" FLARE	PFA	100 -1ft –100	0612 (N or P) 0615 (N or P) 0415 (N or P) 0412 (N or P) 0410 (N or P)
CFNG-06-P(F)-20-0412N(P)			100 -2ft –100	
CFNG-06-P(F)-30-0415N(P)			100 -3ft –100	
CFNG-06-P(F)-40-0612N(P)			100 -4ft –100	
CFNG-06-P(F)-50-0615N(P)			100 -5ft –100	
CFNG-04N-P(F)-10-0410N(P)	1/4" (NPT)		100 -1ft –100	
CFNG-04N-P(F)-20-0412N(P)			100 -2ft –100	
CFNG-04N-P(F)-30-0415N(P)			100 -3ft –100	
CFNG-04N-P(F)-40-0612N(P)			100 -4ft –100	
CFNG-04N-P(F)-50-0615N(P)			100 -5ft –100	
CFNG-04P-P(F)-10-0410N(P)	1/4" (P)		100 -1ft –100	
CFNG-04P-P(F)-20-0412N(P)			100 -2ft –100	
CFNG-04P-P(F)-30-0415N(P)			100 -3ft –100	
CFNG-04P-P(F)-40-0612N(P)			100 -4ft –100	
CFNG-04P-P(F)-50-0615N(P)			100 -5ft –100	

032026REV1



PFA Recirculating Spray Gun Kit

This is a specialized product designed for equipment handling chemicals in the semiconductor and OLED display industries, specifically for dispensing DI water.

The DI Water Spray System is engineered to prevent bacterial growth.

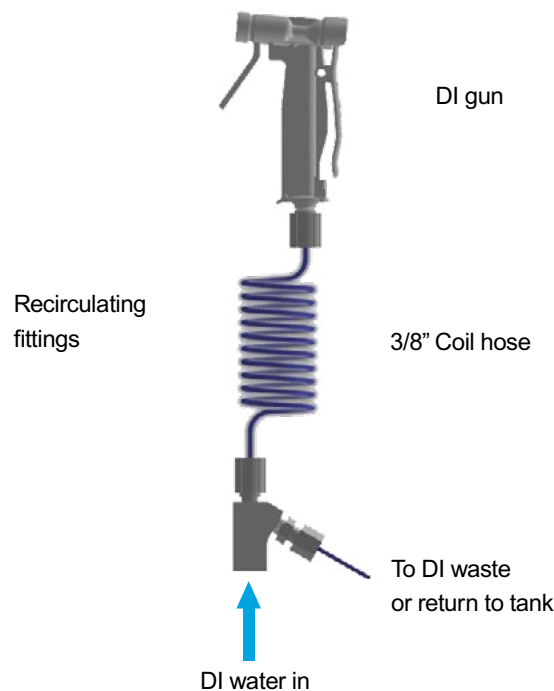
When the spray gun is not in use, the DI water follows a parallel recirculation path, flowing back to the user's DI collection tank or drainage line.

By eliminating stagnant water, the open-loop continuous recirculation path helps reduce bacterial growth.



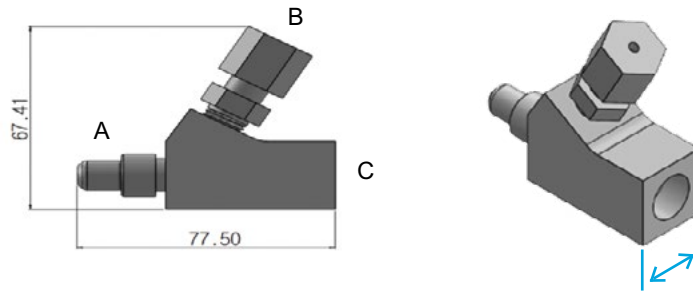
SPECIFICATIONS	
Material (contact part)	High Purity Grade PFA
Pressure range	0 ~ 5.5 kgf/cm ²
Temperature range	0 ~ 90°C

Recirculating device



Recirculating fittings

PART NO.	TUBE SIZE	MATERIAL	A	B	D	D
CFRF-06	3/8"	PTFE	3/8" FLARE	1/4"	3/8" NPT	25 mm



Ordering information PFA recirculating spray gun kit

PART NO.	SIZE	COIL HOSE MATERIAL	COIL HOSE SIZE	FITTINGS
CFRC-06-P-10-RF06	3/8" FLARE	PFA	100 -1ft –100	RF06
CFRC-06-P-20-RF06			100 -2ft –100	
CFRC-06-P-30-RF06			100 -3ft –100	
CFRC-06-P-40-RF06			100 -4ft –100	
CFRC-06-P-50-RF06			100 -5ft –100	
CFRC-06-F-10-RF06		FEP	100 -1ft –100	
CFRC-06-F-20-RF06			100 -2ft –100	
CFRC-06-F-30-RF06			100 -3ft –100	
CFRC-06-F-40-RF06			100 -4ft –100	
CFRC-06-F-50-RF06			100 -5ft –100	

HIGH QUALITY FLUID HANDLING SOLUTIONS

At SPS we believe technology moves the world forward. Not only in terms of growth, but also in terms of efficiency and sustainability. We are proud to be a part of an industry that holds the key to a better future for all. And we are extremely driven to help you innovate and improve your semiconductor production processes with innovative products, advice and service.

For that we have manufactured our own esPRO® line of fluid handling products including: flowmeters, pumps, heaters, spare parts and a line of filtration products. Combined with more than 35 years of experience in the semiconductor industry, SPS can truly help and inspire you towards more innovative production and a better future for all.

OFFICES

SPS Europe B.V.
Midden Engweg 41
3882 TS Putten
The Netherlands
Tel.: (+31) 341 360 590

SPS France
40, rue Condorcet
38090 Vaulx-Milieu
France
Tel.: (+33) 4 58 17 12 83

SPS America - West
16064 SE Engert Ridge Dr
Damascus Oregon 97089
USA
Tel.: (+1) 503 502 5722

SPS Germany (Ingolstadt)
Ferdinand-Braun-Strasse 16
D-85053 Ingolstadt
Germany
Tel.: (+49) 841 370 530

SPS United Kingdom
49 Jamaica Street
Liverpool, L1 0AH
United Kingdom
Tel.: (+44) 1750 725 712

SPS America - East
Boston, Massachusetts
USA

SPS Germany (Hamburg)
Gaußstraße 5
D-22765 Hamburg
Germany
Tel.: (+49) 171 26 29 173

SPS Italy
Via Pietro Mascagni 31
20122 Milano
Italy
Tel.: (+39) 3 457 357 177

SPS Asia
10 Ubi Crescent
Ubi Techpark Lobby B, #06-18
Singapore 408564, Singapore
Tel.: (+65) 911 30 172

SPS Germany (Dresden)
Wienerstraße 128
D-01219 Dresden
Germany
Tel.: (+49) 151 2180 7770

SPS Japan
Tokyo
Japan
Tel.: (+81) 80 8755 2098

SPS Automation Technology
Am Klaepenbergr 5
D-29553 Bienenbüttel
Germany