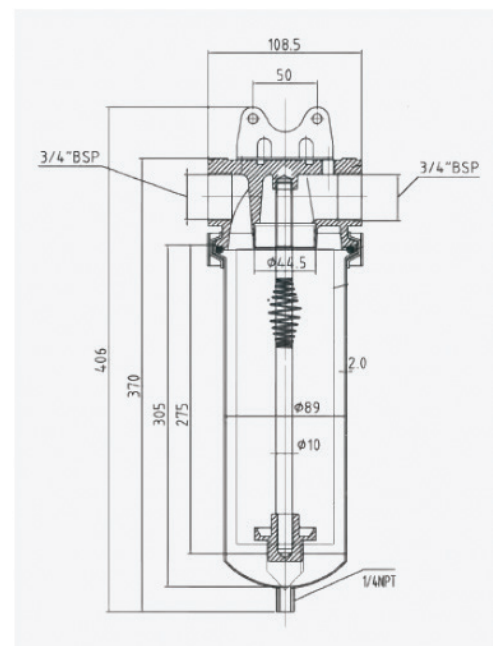


Stainless steel filter housing

HSSA industrial filter housing is designed for critical process filtration with single filter capacity. Easy and fast installation. Tri-clamp sealed housing ensures easy cartridge replacement. Fine surface polishing to meet wide range of filtration requirements. Applications include electronics, water treatment, chemical, food and beverage, pharmaceutical and so on. Drain valve on the bottom of filter bowl for easy drainage.



ITEM	SPECIFICATIONS
Materials	Housing shell: 304 stainless steel or 316L
	Drain: 304 stainless steel or 316L
	O-ring/Gaskets: EPDM/Viton/Silicone/PTFE
Inlet & Outlet	1/2", 3/4", 1" Female NPT
Drain	1/4" NPT
Length	5", 10", 20", 30"
	Diameter: 89 mm
	Clamp: D10×300
Surface Finish	Filter head: Casting
	Housing body: Mechanical polished
Operating conditions	Surface option: Inner Ra: 0.4 um/External Ra: 0.6 um
	Max. Operating pressure: 1Mpa 10bar
	Max. operating temp: 130°C



Ordering Information

ESPRO-12-HSSA	16	G4	2C	10	V
Code	Material	Inlet & Outlet	Cartridge filter end caps	Length	O-ring
ESPRO-12-HSSA	04 304 Steel	G4 1/2" FNPT	0D Double open	05 5"	E EPDM
	16 316L Steel	G6 3/4" FNPT	2C 1" NPT	10 10"	S Silicone
		G8 1" FNPT	6C 226Flat (with adaptor)	20 20"	V Viton
				30 30"	F PTFE

