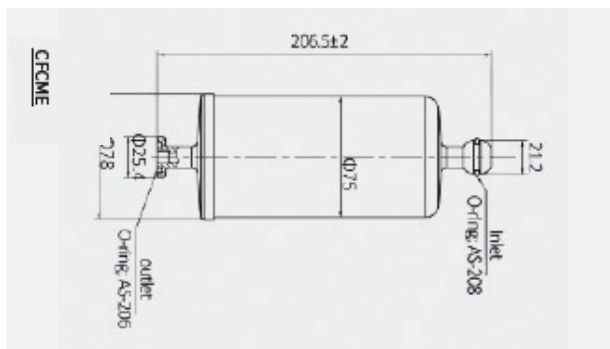


CFCME & CFCMP Capsule Filter

The CFCME/CFCMP series is designed for CMP applications with compact structure and easy operation. It has an excellent filtering effect on impurities and gels in the CMP slurry. All polypropylene structure, hot-melt welding, no adhesive.

ITEM	SPECIFICATIONS
Filter Media	PP
Capsule	PP
Length	206 mm
Max. Working Temp.	55°C
Max. Operating DP	0.6 Mpa



Ordering Information

ESPRO-12-CFCM	E	PP	020	1	V	
Code	Capsule	Filter media	Removal Rating	Inlet & Outlet	Vent/Drain	Sealing
ESPRO-12-CFCM	E	PP	010	1	/	E EPDM
	P	NF	020	2	1/4" flare	V Viton
	C		030			
			050			
			100			
			300			
			500			

